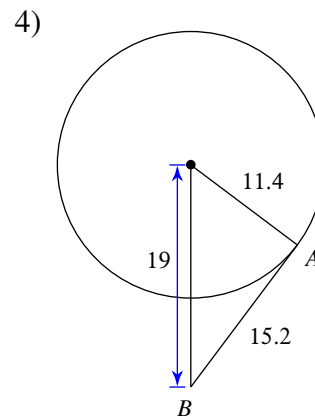
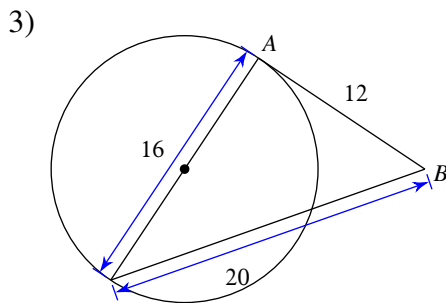
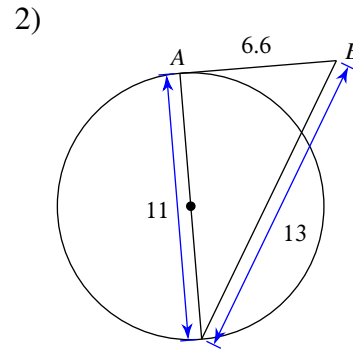
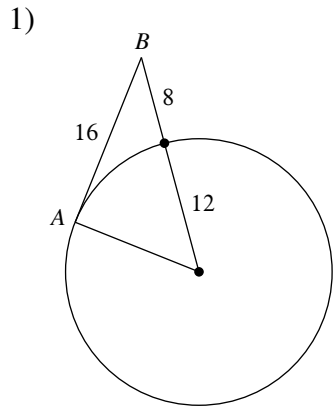
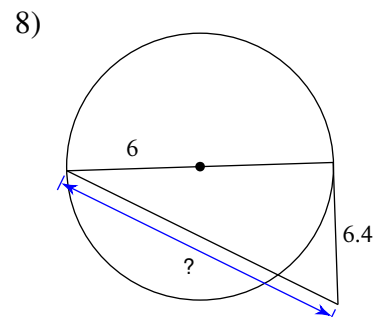
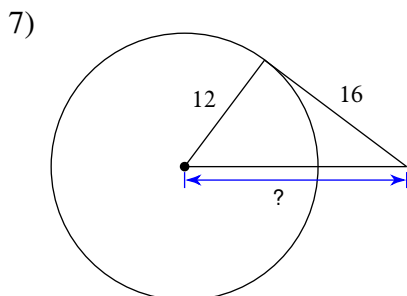
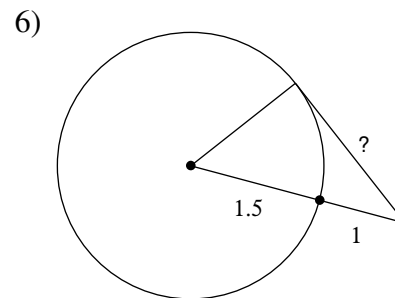
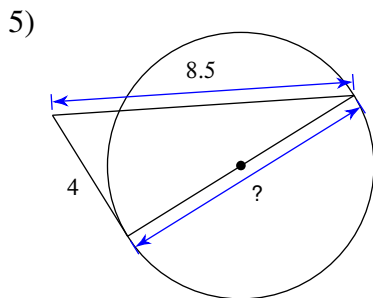


# Tangents to Circles

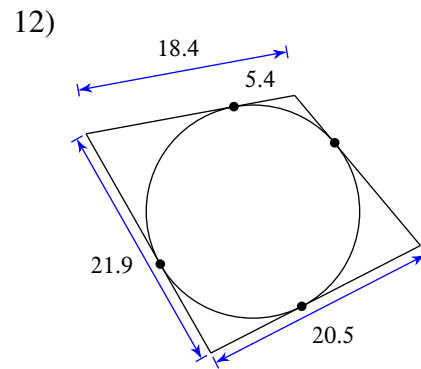
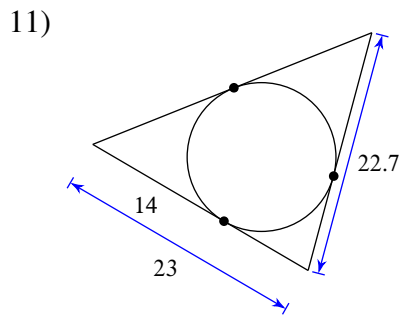
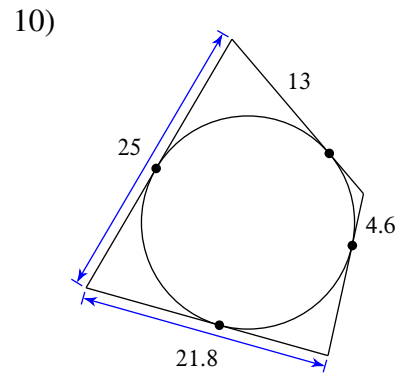
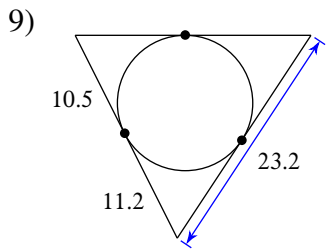
**Determine if line AB is tangent to the circle.**



**Find the segment length indicated. Assume that lines which appear to be tangent are tangent.**



Find the perimeter of each polygon. Assume that lines which appear to be tangent are tangent.



Find the angle measure indicated. Assume that lines which appear to be tangent are tangent.

