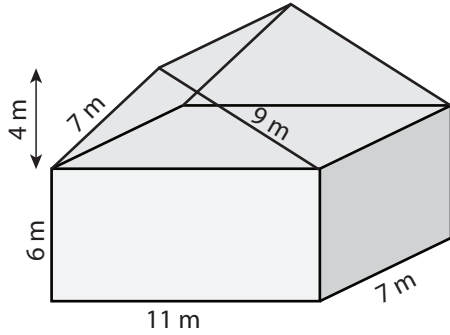


**Surface Area - Compound Shapes**

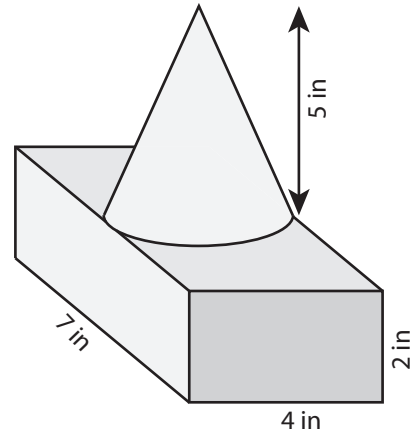
Find the surface area of each figure. Round the answer to two decimal places. (use  $\pi = 3.14$ )

1)



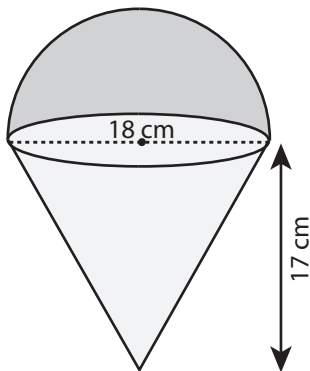
Surface Area = \_\_\_\_\_

2)



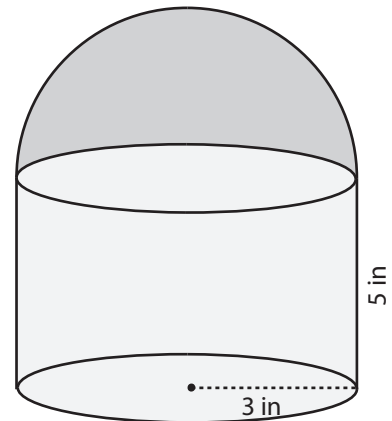
Surface Area = \_\_\_\_\_

3)



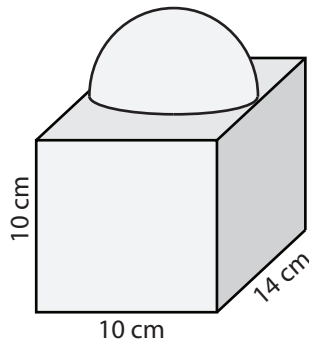
Surface Area = \_\_\_\_\_

4)



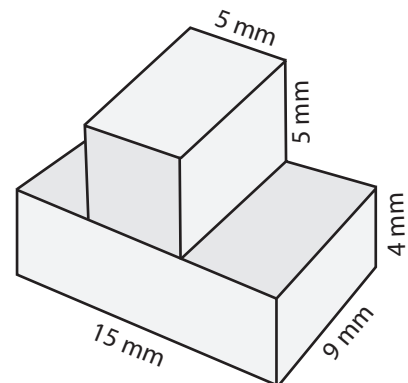
Surface Area = \_\_\_\_\_

5)



Surface Area = \_\_\_\_\_

6)



Surface Area = \_\_\_\_\_